

XY Coordinate tables

Fixed double axis cross tables, designed to be used on drilling and milling machines, special transfer assemblies and in any mechanical application in which X-Y movement has to be controlled.

Two-axis XY multifunctional coordinate table with fixed base for professional use.

Designed for precision work, the MF Series of coordinate tables is optimal for drilling, vertical drilling, horizontal drilling, milling, welding, transfer systems, tool holders and any other mechanical application where precise XY position control is required.

The solid and robust design of the XY Crosstable allows a large number of jobs to be carried out while maintaining positioning accuracy and repeatability in any type of linear positioning. An industry classic that guarantees long life.

All elements of the MF series of manual coordinate tables are made of cast iron (high-quality GG25 stabilized gray cast iron), which gives it extraordinary mechanical rigidity.

Technical details:

- Displacement by dovetails with clearance adjustment (all surfaces grinding finishment)
- Millimeter rulers and matte chrome vernier, with dial and zero adjustment.
- Trapezoidal threaded spindle with adjustable spindle nut.
- Locking brake to fix the XY table in its working position

The MF Series fixed crosstable offers 7 models of different sizes, from 120x110 to 700x400 mm of useful travelling, in order to adapt to the needs of the application and offer flexibility and adaptation to different uses and applications: all types of machine tools, drills , grinding, sharpening, milling machines, lathes, optical and laser systems, positioning of work heads, adjustment and position regulation of parts in presses, displacement for cutting welding, industrial engraving.

BAZUS commitment:

- The highest quality, robust and durable coordinate tables on the market.
- Tables with the finest linear positioning and without spindle-play.
- Coordinate tables made 100% in Europe.

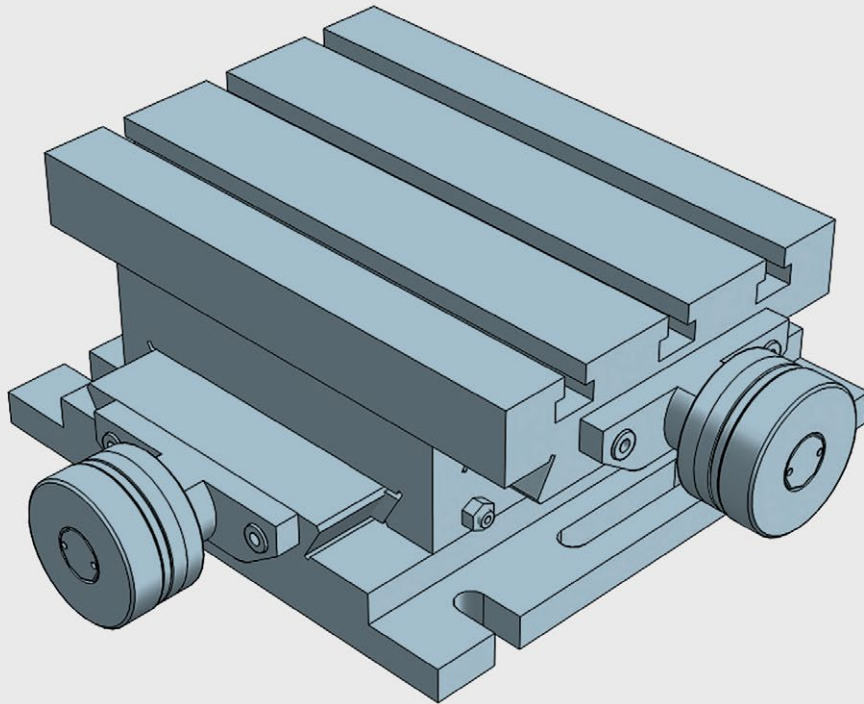
Customized solutions:

BAZUS, your trusted partner for high-performance positioning systems, provides the right solution for any application, specifically designed or customized to the characteristics and requirements of your activity.

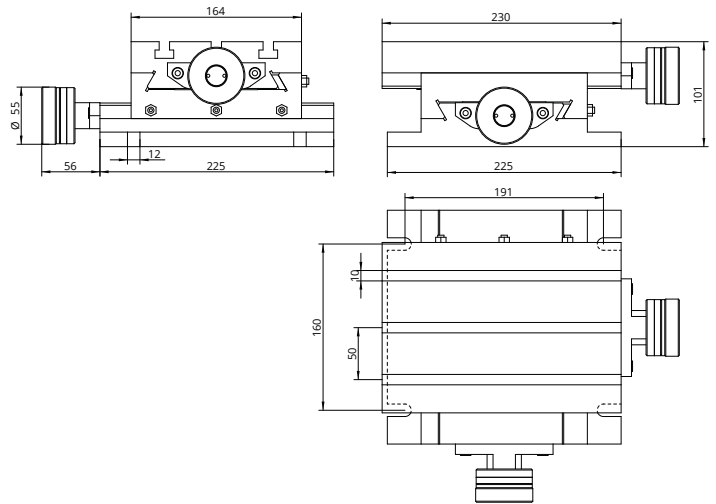
Whatever your coordinate table, thanks to more than 100 years of continuous improvement, you will have a partner who offers solutions to all your positioning and movement requirements with many different applications available worldwide.

The first guarantee, for 5 years:

Why settle for a 2 year warranty? At BAZUS we believe that, if the coordinate tables do not expire at this time, neither should the professional attention received. So once again we want to change the rules. 5 year guarantee.



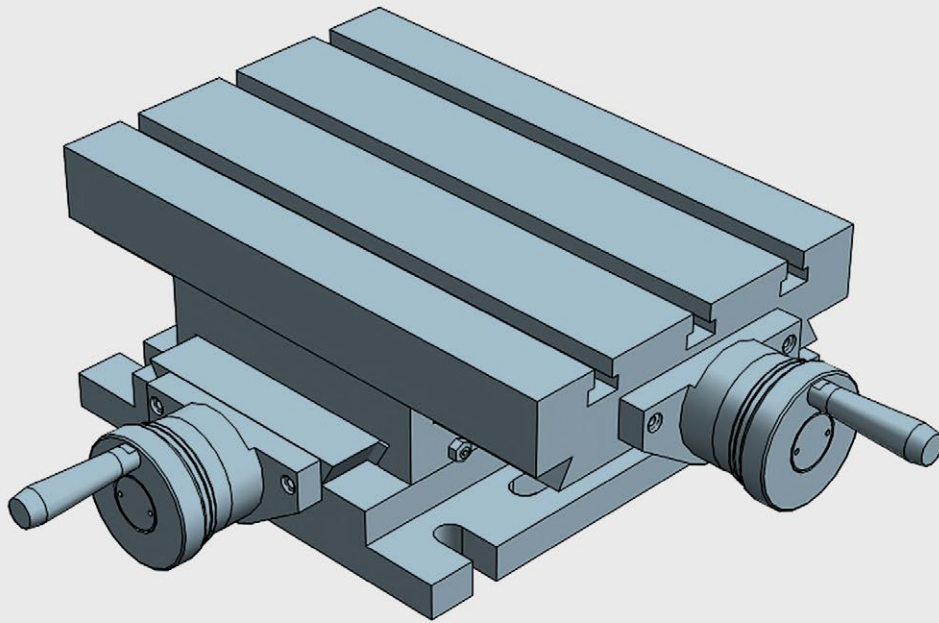
Fixed double axis crosstable, designed to be used on drilling, milling, pad printing machines, special transfer assemblies and in any mechanical application in which XY movement has to be controlled and adjusted. All elements in stabilized cast iron GG25. All surfaces with grinded finishment. Millimetered rules in XY. Vernier/nonuis matt chrome. Dial, with zero setting. Spindle with triangular thread. Adjustable spindle nut. Standard lock in XY (M6 screw to block the dovetailed guides in working position)



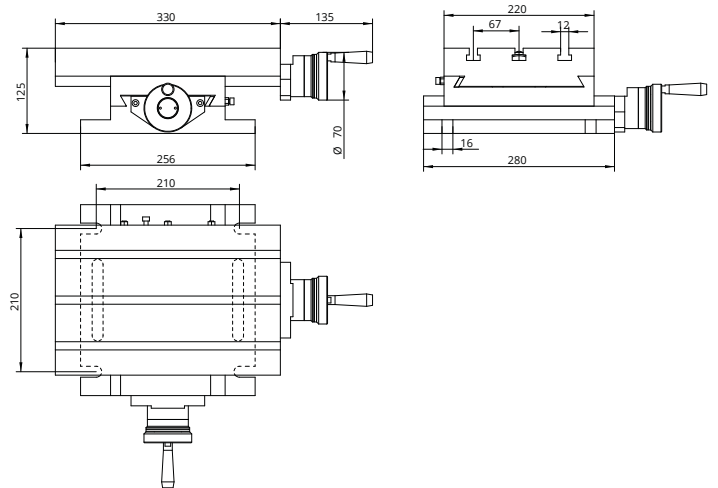
Fixed crosstable XY travelling 120x110

Technical Specifications

X - Travel [mm]	120
Y - Travel [mm]	110
Resolution [mm]	0,05
Max. weight [kg]	55
Max. work pres. [kg]	500
Weight [kg]	16



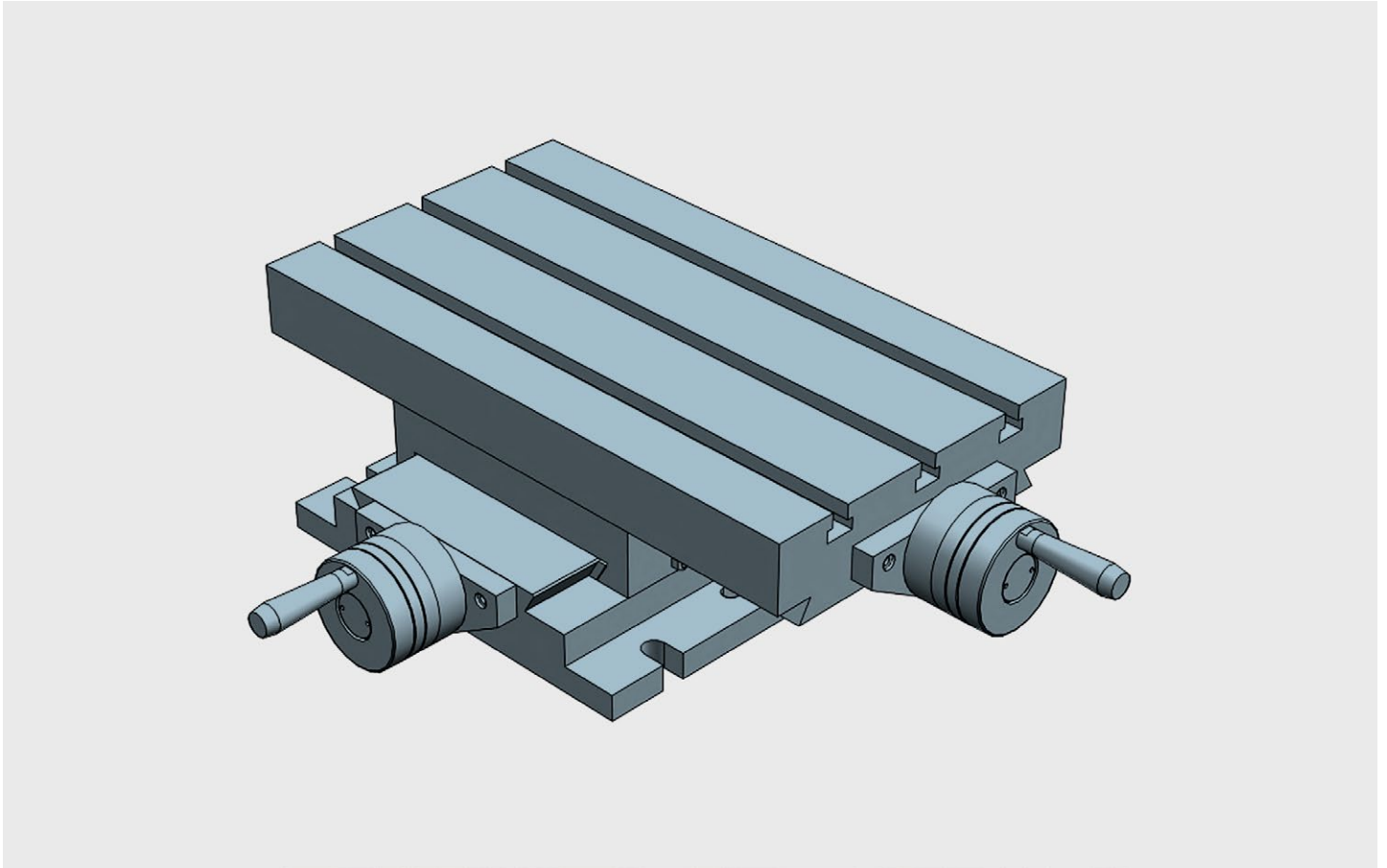
Fixed double axis cross table, designed to be used on drilling, milling, pad printing machines, special transfer assemblies and in any mechanical application in which XY movement has to be controlled and adjusted. All elements in stabilized cast iron GG25. All surfaces with grinded finishment. Millimetered rules in XY. Vernier/nonius matt chrome. Dial, with zero setting. Spindle with trapezoidal thread. Adjustable spindle nut. Standard lock in XY (M6 screw to block the dovetailed guides in working position)



Fixed cross table XY travelling 190x130

Technical Specifications

X - Travel [mm]	190
Y - Travel [mm]	130
Resolution [mm]	0,05
Max. weight [kg]	105
Max. work pres. [kg]	700
Weight [kg]	33

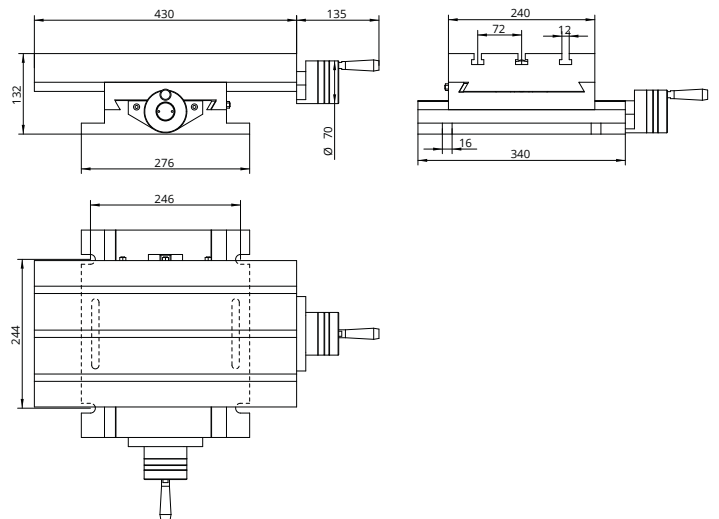


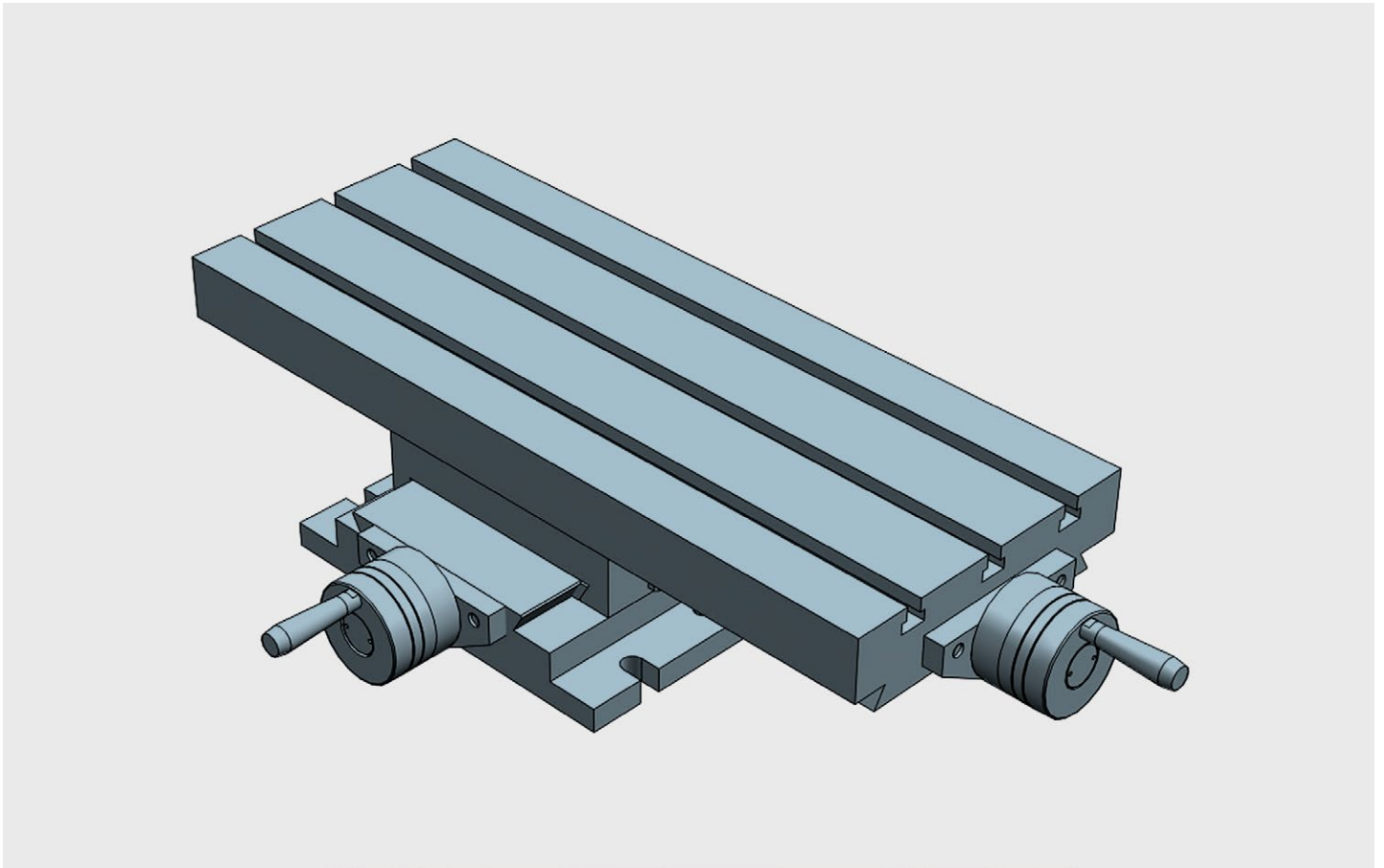
Fixed double axis cross table, designed to be used on drilling, milling, pad printing machines, special transfer assemblies and in any mechanical application in which XY movement has to be controlled and adjusted. All elements in stabilized cast iron GG25. All surfaces with grinded finishment. Millimetered rules in XY. Vernier/nonius matt chrome. Dial, with zero setting. Spindle with trapezoidal thread. Adjustable spindle nut. Standard lock in XY (M6 screw to block the dovetailed guides in working position)

Fixed cross table XY travelling 240x160

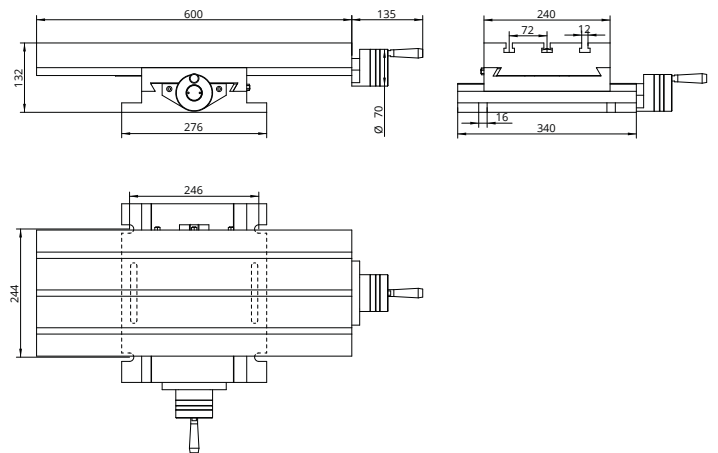
Technical Specifications

X - Travel [mm]	240
Y - Travel [mm]	160
Resolution [mm]	0,05
Max. weight [kg]	270
Max. work pres. [kg]	900
Weight [kg]	46





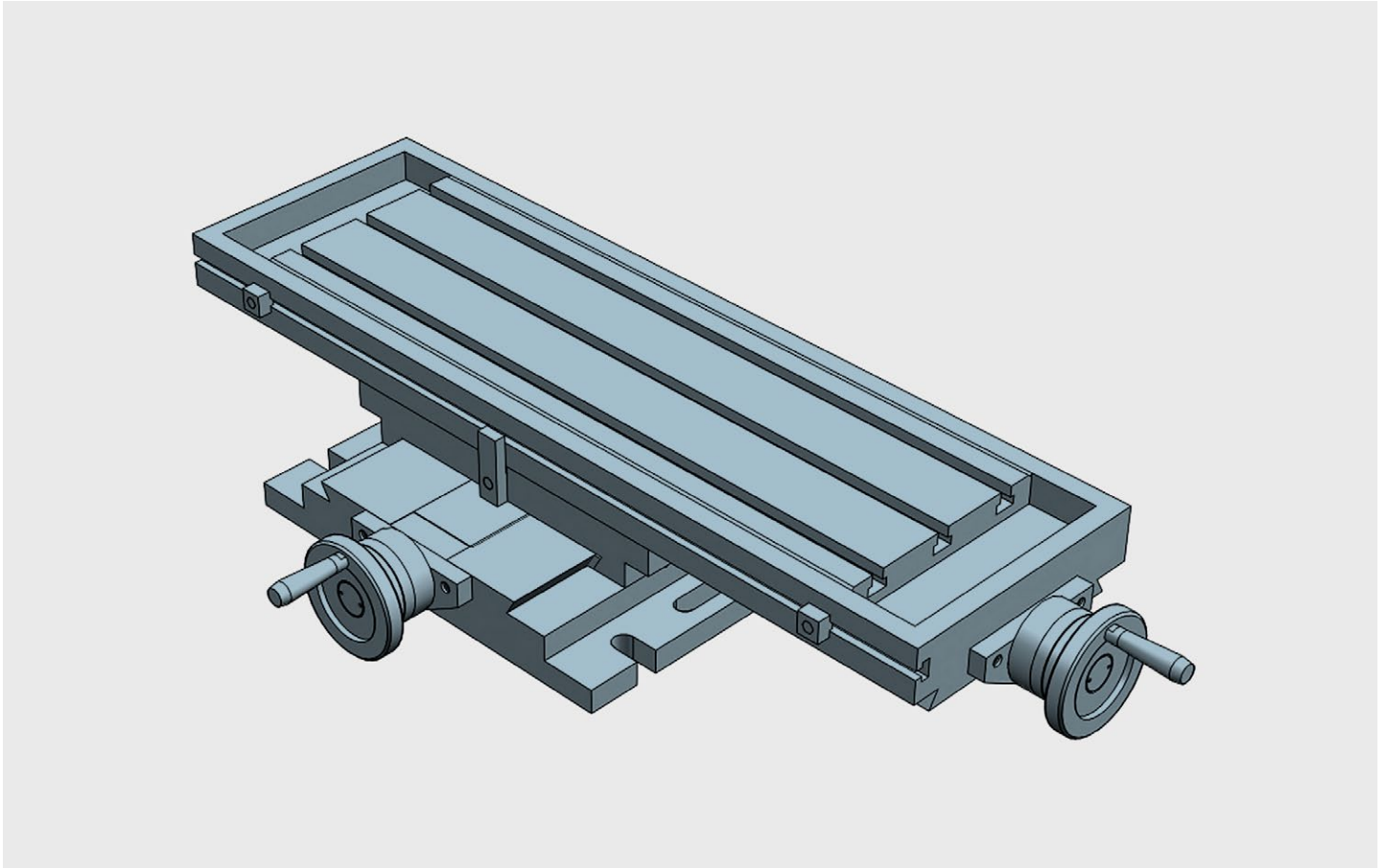
Fixed double axis cross table, designed to be used on drilling, milling, pad printing machines, special transfer assemblies and in any mechanical application in which XY movement has to be controlled and adjusted. All elements in stabilized cast iron GG25. All surfaces with grinded finishment. Millimetered rules in XY. Vernier/nonius matt chrome. Dial, with zero setting. Spindle with trapezoidal thread. Adjustable spindle nut. Standard lock in XY (M6 screw to block the dovetailed guides in working position)



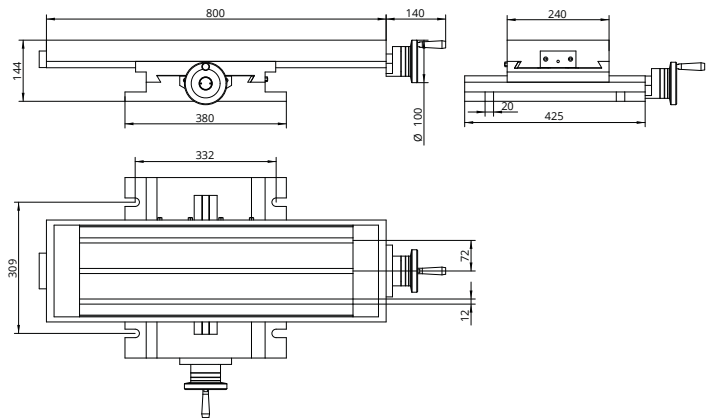
Fixed cross table XY travelling 350x160

Technical Specifications

X - Travel [mm]	350
Y - Travel [mm]	160
Resolution [mm]	0,05
Max. weight [kg]	270
Max. work pres. [kg]	980
Weight [kg]	56



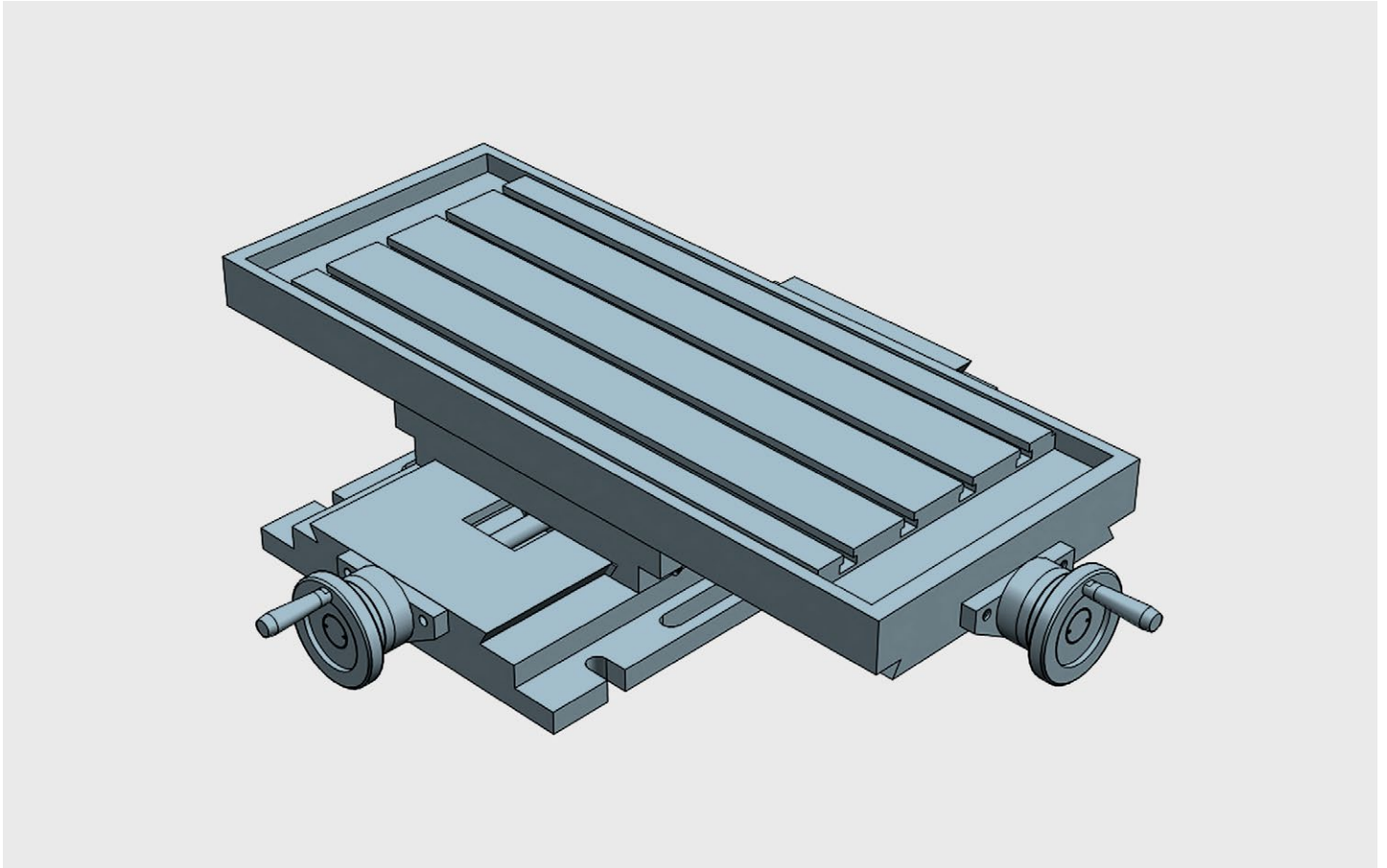
Fixed double axis cross table, designed to be used on drilling, milling, pad printing machines, special transfer assemblies and in any mechanical application in which XY movement has to be controlled and adjusted. All elements in stabilized cast iron GG25. All surfaces with grinded finishment. Millimetered rules in XY. Vernier/nonius matt chrome. Dial, with zero setting. Spindle with trapezoidal thread. Adjustable spindle nut. Standard lock in XY (M6 screw to block the dovetailed guides in working position). Coolant drainage box in T-slot table.



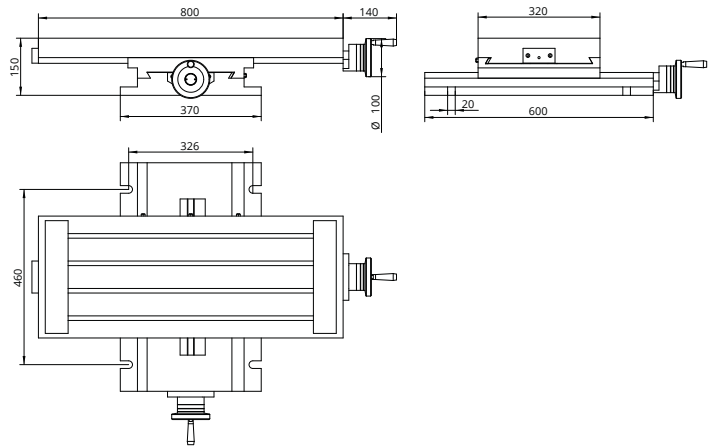
Fixed cross table XY travelling 470x240

Technical Specifications

X - Travel [mm]	470
Y - Travel [mm]	240
Resolution [mm]	0,05
Max. weight [kg]	290
Max. work pres. [kg]	1200
Weight [kg]	86



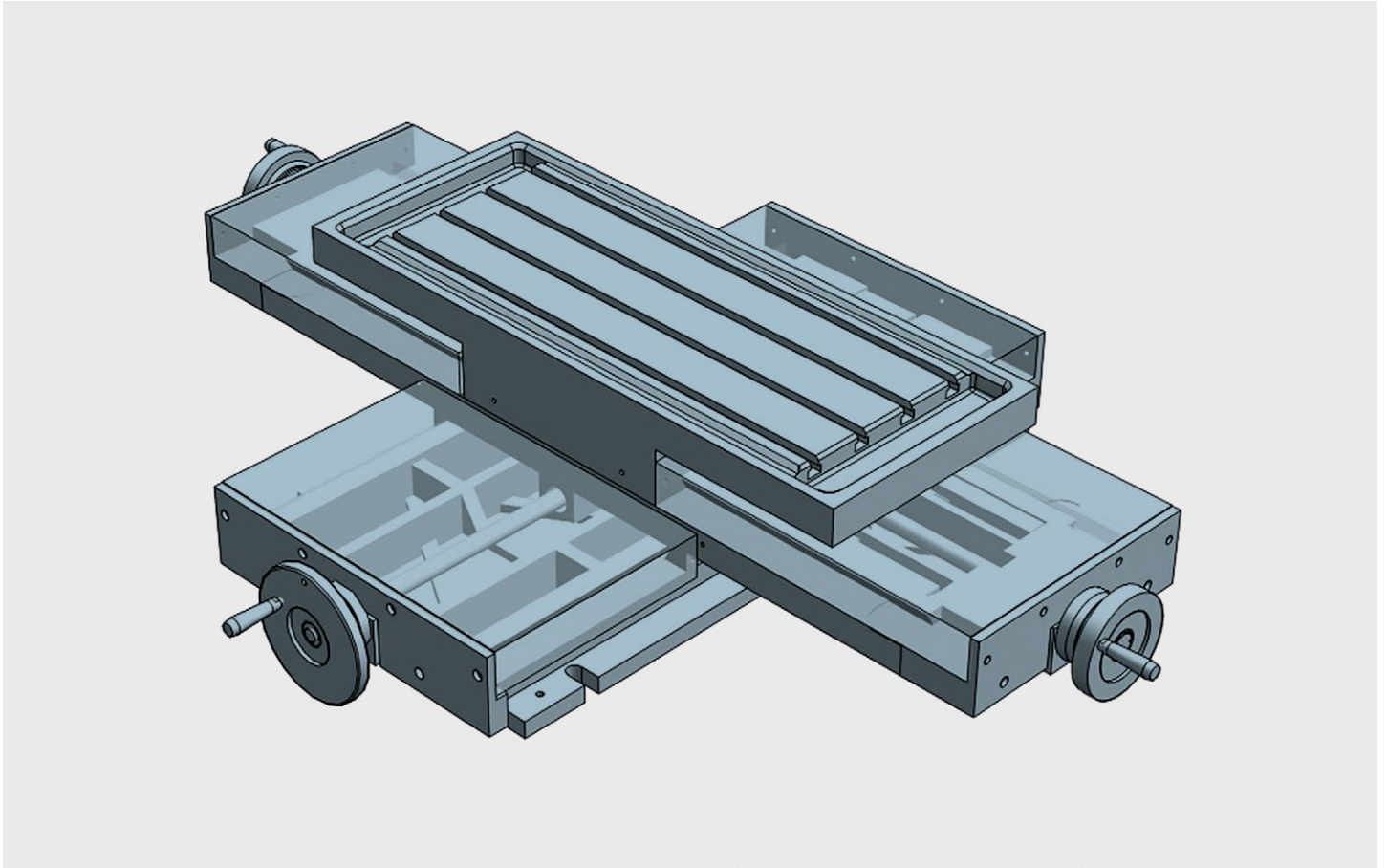
Fixed double axis crosstable, designed to be used on drilling, milling, pad printing machines, special transfer assemblies and in any mechanical application in which XY movement has to be controlled and adjusted. All elements in stabilized cast iron GG25. All surfaces with grinded finishment. Millimetered rules in XY. Vernier/nonuis matt chrome. Dial, with zero setting. Spindle with trapezoidal thread. Adjustable spindle nut. Standard lock in XY (M6 screw to block the dovetailed guides in working position). Coolant drainage box in T-slot table.



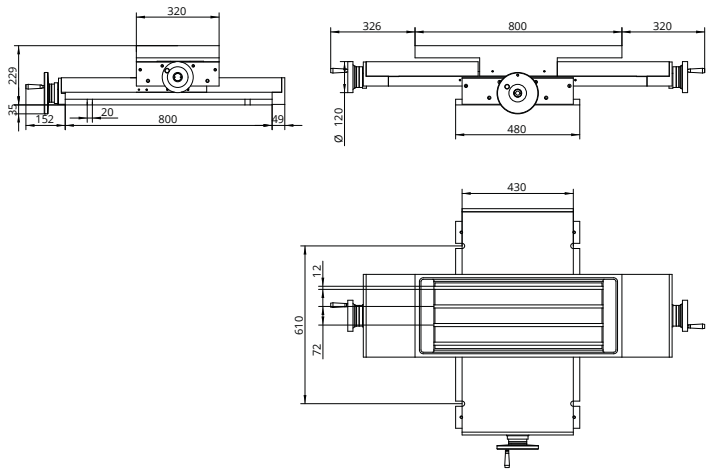
Fixed crosstable XY travelling 470x300

Technical Specifications

X - Travel [mm]	470
Y - Travel [mm]	300
Resolution [mm]	0,05
Max. weight [kg]	320
Max. work pres. [kg]	1200
Weight [kg]	122



Fixed double axis crosstable, designed to be used on drilling, milling, pad printing machines, special transfer assemblies and in any mechanical application in which XY movement has to be controlled and adjusted. All elements in stabilized cast iron GG25. All surfaces with grinded finishment. Millimetered rules in XY. Vernier/nonuis matt chrome. Dial, with zero setting. Spindle with trapezoidal thread. Adjustable spindle nut. Standard lock in XY (M6 screw to block the dovetailed guides in working position). Coolant drainage box in T-slot table. Protection belows in XY



Fixed crosstable XY travelling 700x400

Technical Specifications

X - Travel [mm]	700
Y - Travel [mm]	400
Resolution [mm]	0,05
Max. weight [kg]	900
Max. work pres. [kg]	1350
Weight [kg]	290