

XY Coordinate tables

Fixed double axis cross tables, designed to be used on drilling and milling machines, special transfer assemblies and in any mechanical application in which X-Y movement has to be controlled.

XY two-axis lightweight coordinate table for professional use.

Designed for high precision jobs where exact XY position control is required. Applicable to pad printing machines, special machines, milling machines, head positioning and any other mechanical application where XY position control is necessary.

All the elements of the FL series manual coordinate tables are made of cast iron alloy (high-quality stabilized gray GG25 cast iron), which gives it an extraordinary capacity for mechanical resistance.

Technical details:

- Displacement by dovetails with clearance adjustment (all surfaces grinding finishment)
- Millimeter rulers and matte chrome vernier, with dial and zero adjustment.
- Triangular threaded spindle with adjustable spindle nut.
- Locking brake to fix the XY table in its working position
- Low height to allow use in reduced Z dimension machines

BAZUS commitment:

- The highest quality, robust and durable coordinate tables on the market.
- Tables with the finest linear positioning and without spindle-play.
- Coordinate tables made 100% in Europe.

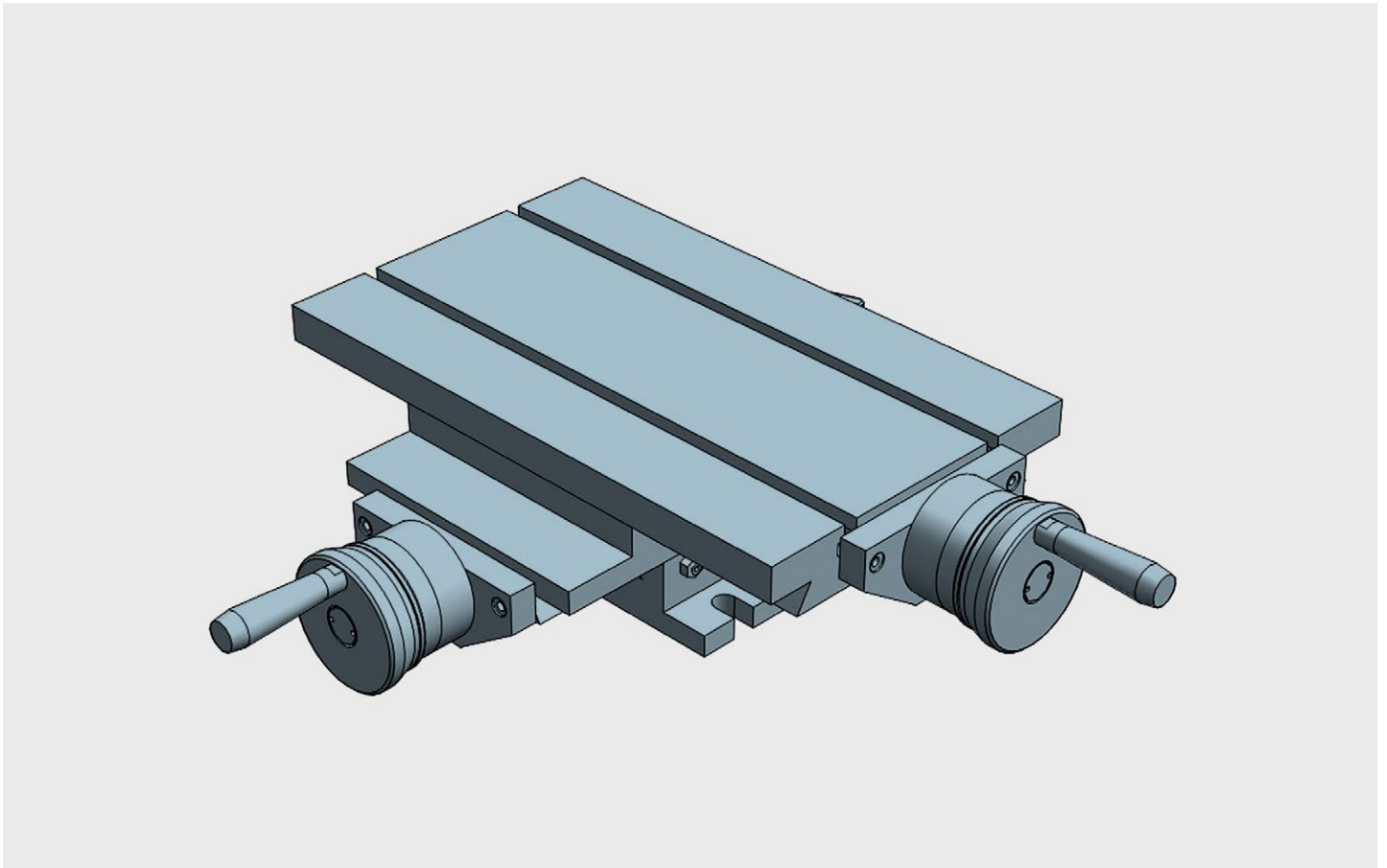
Customized solutions:

BAZUS, your trusted partner for high-performance positioning systems, provides the right solution for any application, specifically designed or customized to the characteristics and requirements of your activity.

Whatever your coordinate table, thanks to more than 100 years of continuous improvement, you will have a partner who offers solutions to all your positioning and movement requirements with many different applications available worldwide.

The first guarantee, for 5 years:

Why settle for a 2 year warranty? At BAZUS we believe that, if the coordinate tables do not expire at this time, neither should the professional attention received. So once again we want to change the rules. 5 year guarantee.



LIGHT Fixed double axis crosstable, designed to be used in light mechanical operations in which height of the table is a major factor. All elements in stabilized cast iron GG25. All surfaces with grinded finishment. Millimetered rules in XY. Vernier/nonuis matt chrome. Dial, with zero setting. Spindle with triangular thread. Adjustable spindle nut. Standard lock in XY (Jaccard type)

Light fixed XY crosstable travelling 170x120

Technical Specifications

X - Travel [mm]	170
Y - Travel [mm]	120
Resolution [mm]	0,025
Max. weight [kg]	60
Max. work pres. [kg]	500
Weight [kg]	22

