

X Coordinate tables

Using the traditional robust BAZUS design, the range of manual coordinate tables are operated by trapezoidal spindles and dovetailed guides. Made from high quality stabilized cast iron, this product range comprises single axis (X) slide units.

Vertical angle plate for special applications and custom assemblies.

The vertical angle plate is used as a complement to our series of coordinate tables for different assemblies and special constructions. The vertical angle plates are supplied without holes so that the user can carry out the applications they want

The robust and robust design of the ES vertical angle plates allows a large number of combined assemblies of BAZUS units.

All the elements of the ES Series are made of cast iron (high-quality stabilized gray GG25 cast iron), which gives it extraordinary mechanical rigidity.

Technical details:

The ES Series offers 3 models of different sizes to be able to adapt to the needs of the application and offer flexibility and adaptation to different assemblies and applications.

BAZUS commitment:

- The highest quality, robust and durable coordinate tables on the market.
- Tables with the finest linear positioning and without spindle-play.
- Coordinate tables made 100% in Europe.

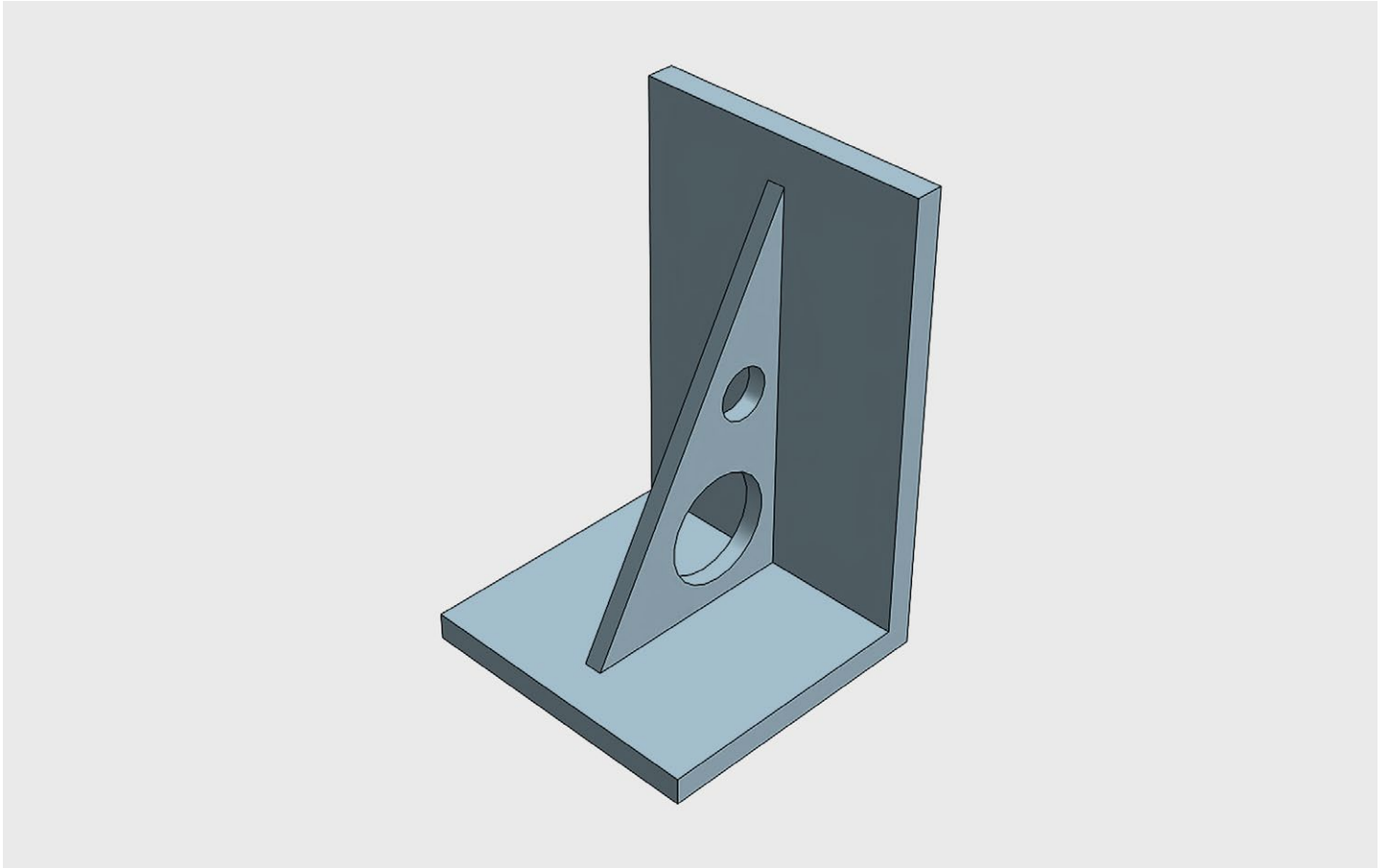
Customized solutions:

BAZUS, your trusted partner for high-performance positioning systems, provides the right solution for any application, specifically designed or customized to the characteristics and requirements of your activity.

Whatever your coordinate table, thanks to more than 100 years of continuous improvement, you will have a partner who offers solutions to all your positioning and movement requirements with many different applications available worldwide.

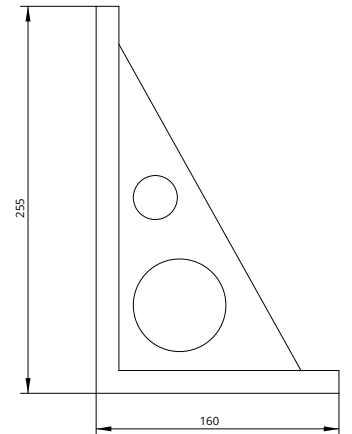
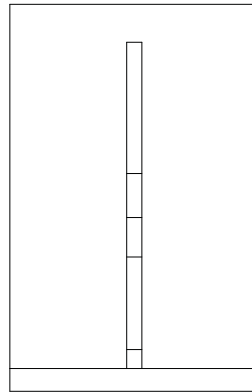
The first guarantee, for 5 years:

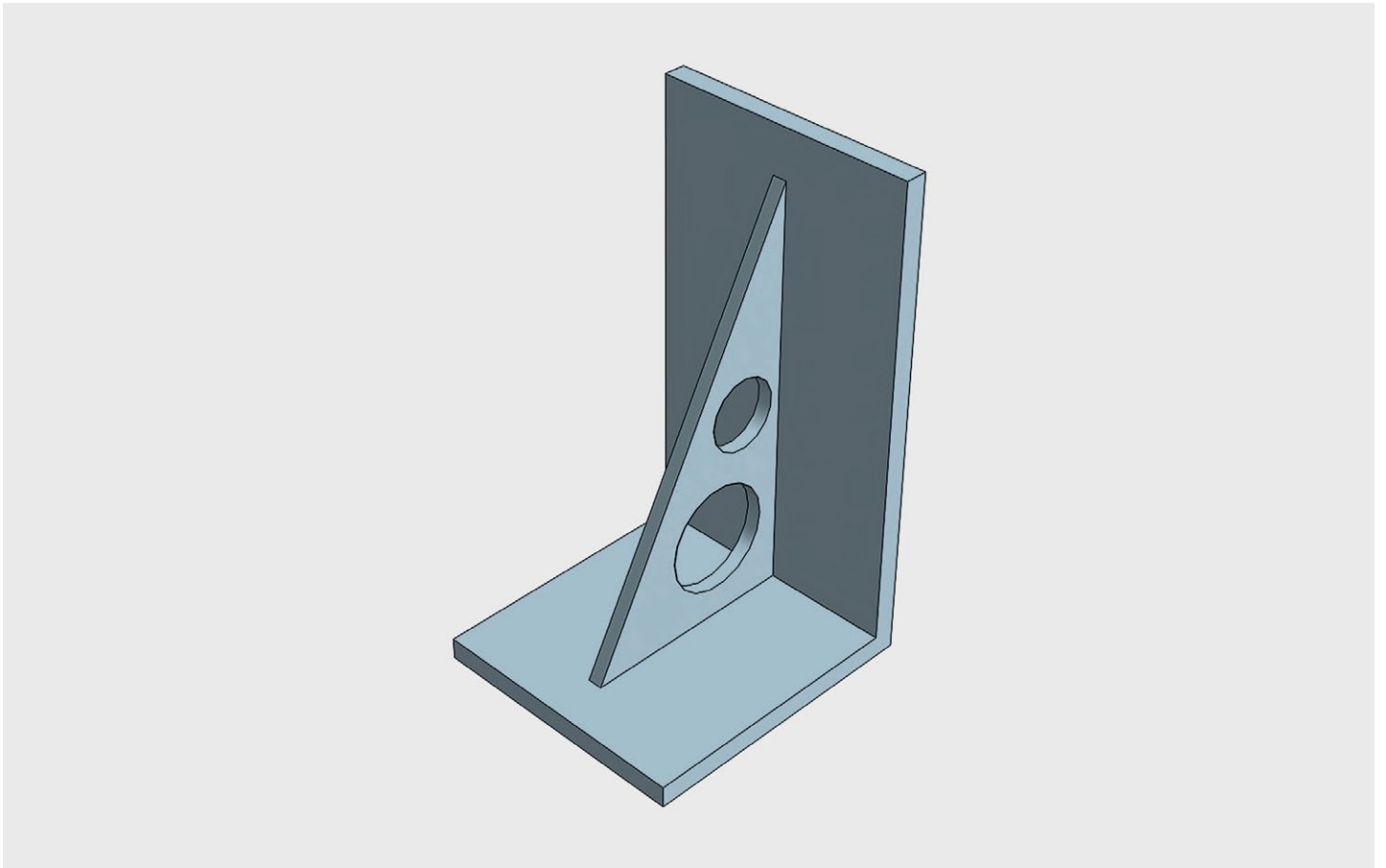
Why settle for a 2 year warranty? At BAZUS we believe that, if the coordinate tables do not expire at this time, neither should the professional attention received. So once again we want to change the rules. 5 year guarantee.



Angle plate for special combinations. These are used as a complement to our series of tables in different applications and special constructions. Supplied without holes so that user may perform the desirable applications.

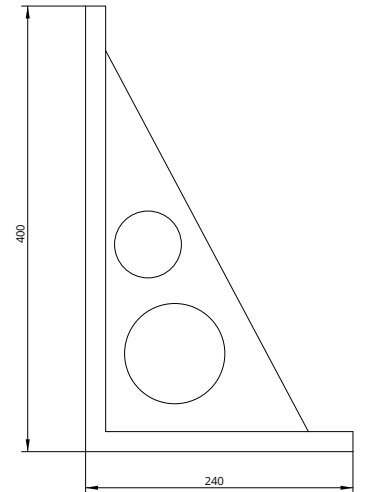
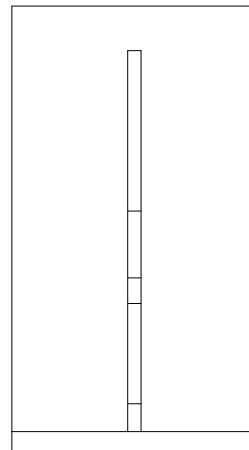
Angle Plate Serie N° 0

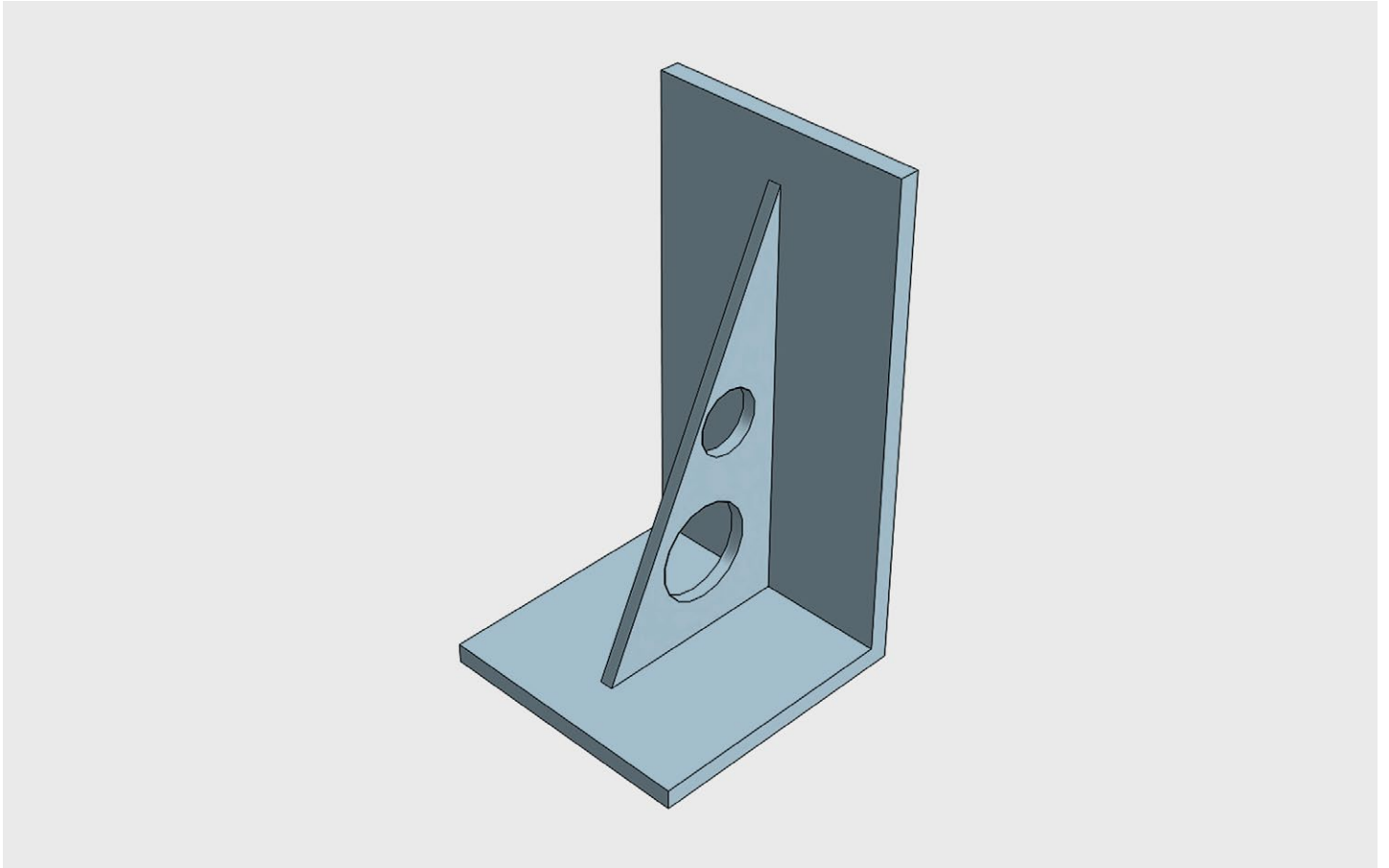




Angle plate for special combinations. These are used as a complement to our series of tables in different applications and special constructions. Supplied without holes so that user may perform the desirable applications.

Angle Plate Serie N° 1





Angle plate for special combinations. These are used as a complement to our series of tables in different applications and special constructions. Supplied without holes so that user may perform the desirable applications.

Angle Plate Serie N° 2

